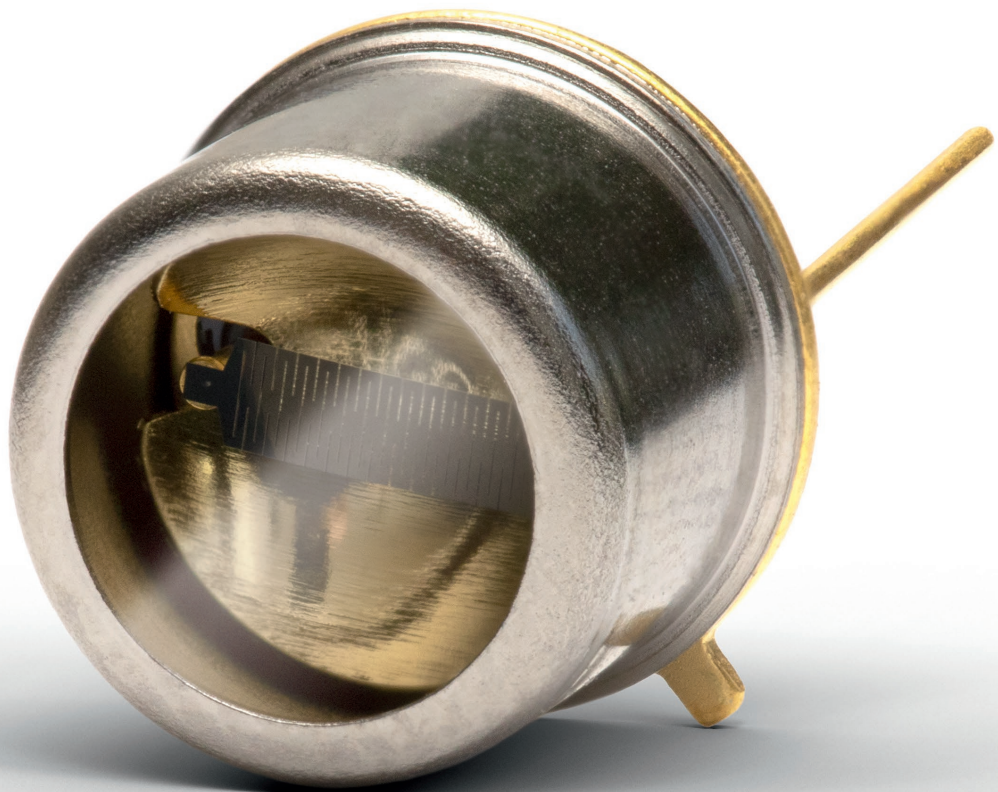


INFRA·SOLID[®]



Data Sheet *HISbasic*

HIS550R-A

TO-39/TO-5 Thermal Infrared Emitter

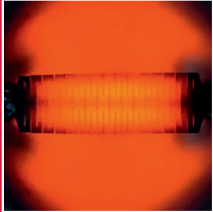
HIS550R-A

Thermal infrared emitter with sapphire window and Nitrogen gas filling

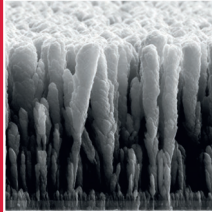
Our HIS550R-A is a NiCr filament based thermal emitter in a TO-39 package, with a soldered sapphire window. This guarantees hermetically sealed package and long-term stability. The cap with the soldered sapphire window is tested with Helium leak test at $< 10^{-8}$ mbar l/s.

HISbasic series emitters have an integrated gold plated reflector that directs the radiation emitted from the rear to the front in order to achieve maximum efficiency. All our emitters offer minimum drift at a constant electrical resistance. Infrasonics IR emitters are characterized by a very low temperature coefficient of electrical resistance. Therefore the hot resistance and the cold resistance are almost identical which eases the electrical control of the IR sources.

Key features



High radiant power



High efficiency



Hermetically sealed

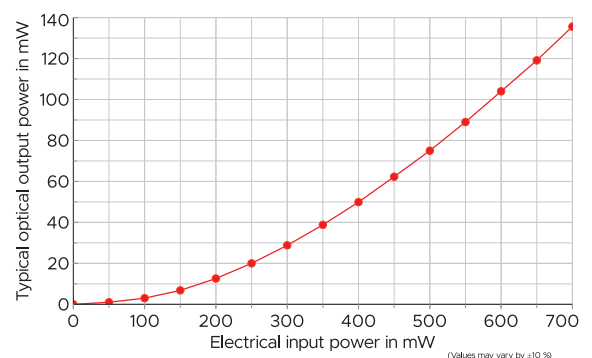
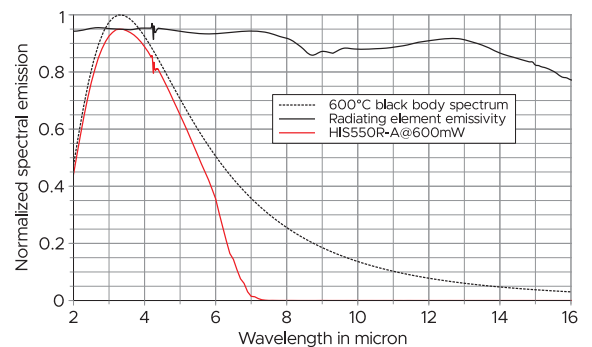
- ✓ Pulsable thermal black-body infrared source mounted in an industry standard TO-39/TO-5 package.
- ✓ Patented nanostructured radiating element generates black-body spectrum with up to 1000 % more detection signal compared to competitors.
- ✓ Soldered, high-quality filter windows guarantee long-term stable operation.
- ✓ Wide wavelength range enables a broad range of applications.

innovative infrared sources for gas detection & spectroscopy

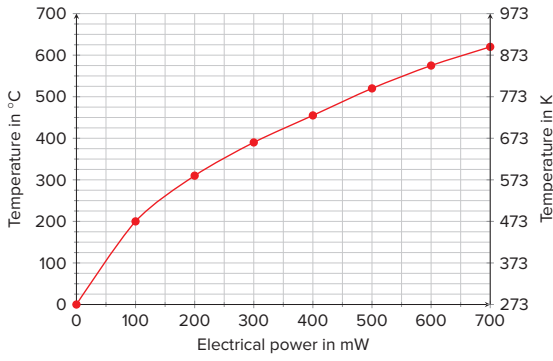
Main specifications

Parameter	HIS550R-A
Package	TO-39 / TO-5
Radiating element area	11 mm ²
Radiating element emissivity	> 0.9
Radiating element temperature	600 °C at 650 mW
Optical output power	up to 135 mW
Max. electrical power (DC)	700 mW
Max. electrical voltage	4.0 V
Max. electrical current	175 mA
Electrical cold resistance	22 +/- 3 Ω (typ. 21...23 Ω)
Electrical hot resistance	22 +/- 3 Ω (typ. 21...23 Ω)
Filter (soldered window)	Sapphire
Wavelength range	2 to 6 μm
Filling gas	Nitrogen

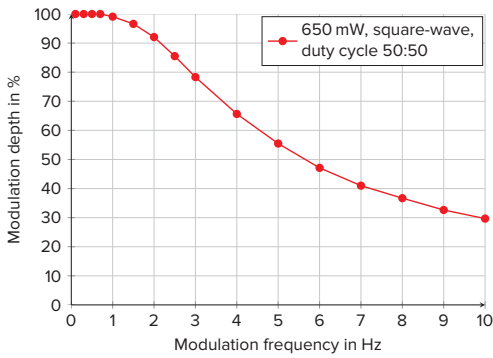
Optical specifications



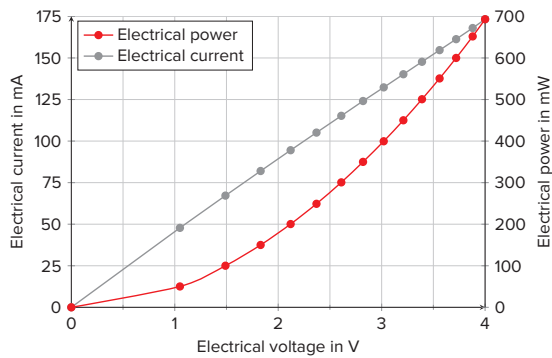
Radiating element temperature



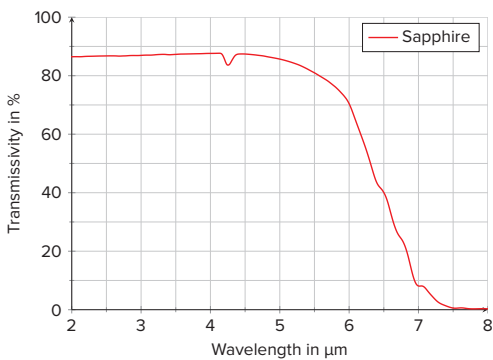
Modulation depth



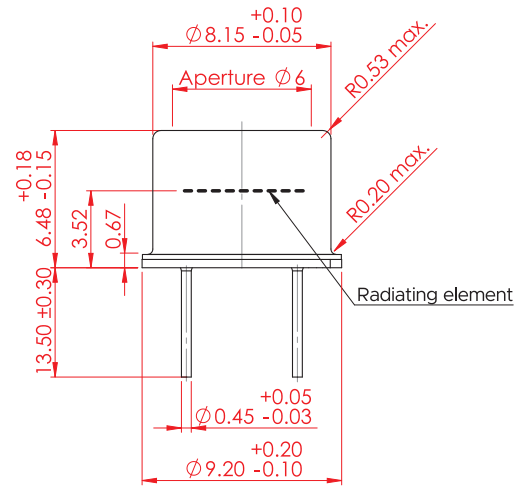
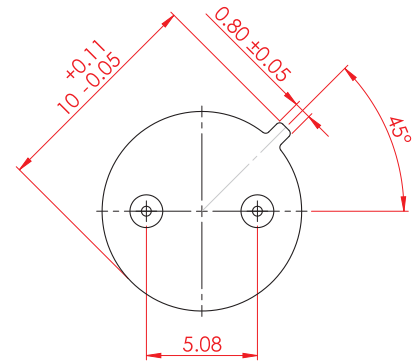
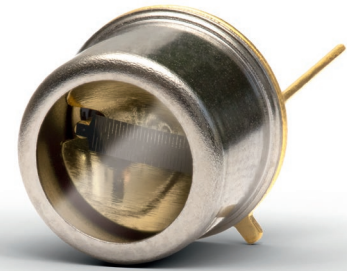
Electrical specifications



Window material transmissivity



HIS550R-A



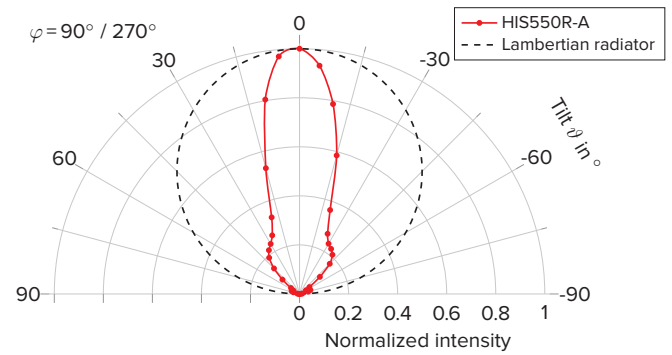
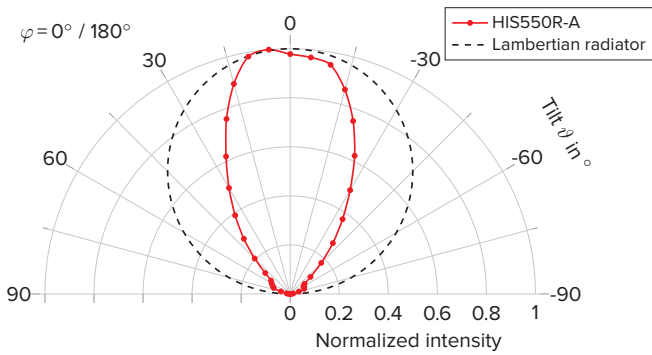
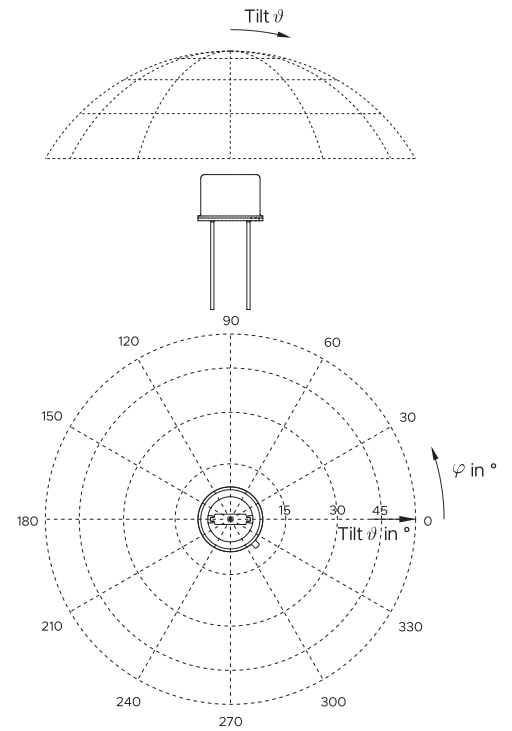
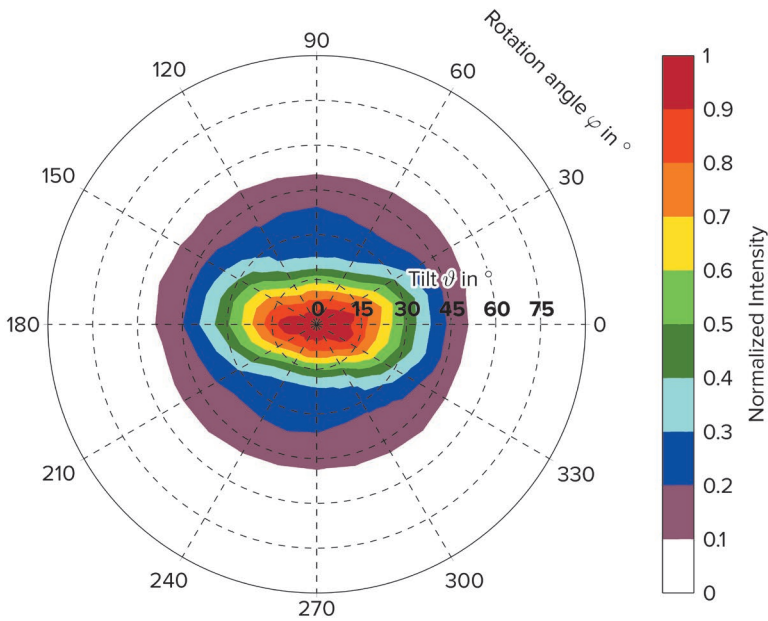
Maximum housing temperatures without heat sink (at $T_{amb} = 20\text{ °C}$):

HIS550R-A @700 mW	Operation mode	
	DC	Pulsed (1 Hz square wave)
T_{max}	80 °C	55 °C

All our emitters comply with the following JEDEC-standards:

- ☑ JESD22-A104 (temperature cycling and shock test: -45 °C / + 90 °C, 100 cycles)
- ☑ JESD22-B103 (vibration test: log. sweep 20 Hz...2000 Hz, peak 20 g, X/Y/Z direction)
- ☑ JESD22-B110 (drop test: 5000 m/s², 6 directions)

Angular radiation distribution



Driver Circuit Board (DCB):

We provide several Driver Circuit Boards (DCBs) for our HIS smd , HIS $basic$ and HIS $power$ series emitters to support a quick evaluation in your applications. All DCBs are small and use a low-cost driving circuit with a maximum stability close to a power regulated mode. Only a supply voltage and a pulse signal have to be applied. For more information about its function, see our technical notes.

The DCBs are available at:

www.infrasolid.com/accessories

